



OpenAir™

## Air damper actuators

## GEB...2

Electronic motor-driven linear actuators for three-position and modulating control

- AC 24 V / AC 230 V
- Nominal force 400 N
- Travel 60 mm, mechanical adjustable
- Connection cable PVC, 0.9 m

Type-specific variations:

- Adjustable offset and span ( Positioning signal )
- Position indicator
- Self-adaptation linear span
- 2 adjustable auxiliary switches

Remarks

This data sheet provides a brief overview of these actuators. Please refer to the technical basics in CM2Z4653en for a detailed description as well as information on safety, engineering notes, mounting and commissioning.

## Use

- For damper areas up to 3 m<sup>2</sup>, friction-dependent.
- Suitable for modulating controllers (DC 0...10 V) or three-position controllers (e.g. rotary and linear dampers at air outlets).

## Type summary

GEB....	131.2E	136.2E	331.2E	336.2E	161.2E	163.2E
Control type	Three-position control				Modulating control	
Operating voltage AC 24 V	X	X			X	X
Operating voltage AC 230 V			X	X		
Positioning signal Y DC 0...10 V					X	X
DC 2...10 V					X	
DC 0...35 V with characteristic function $U_o, \Delta U$						X
Position indicator DC 0...10 V					X	X
Self-adaptation of linear span					X	X
Auxiliary switches (two)		X		X		
Linear direction switch					X	X




## Functions

Type	GEB13..2 / GEB33..2	GEB16..2
Control type	Three-position control	Modulating control
Positioning signal with adjustable characteristic function		DC 0...35 V at Offset $U_o = 0...5 V$ Span $\Delta U = 2...30 V$
Linear travel direction	The direction of linear travel depends on...	
	...the type of control. With no power applied, the actuator remains in the respective position.	...the DIL switch setting outward / inward.
Position indication		Position indicator: Output voltage $U = DC 0...10 V$ is generated proportional to the linear travel. $U$ depends on the linear direction of the switch setting.
Self-adaptation of linear span		When self-adaptation is active, the actuator automatically determines the mechanical end positions of the linear span and maps the characteristic function ( $U_o, \Delta U$ ) to the calculated linear span.
Auxiliary switch	The switching points for auxiliary switches A and B can be set independent of each other in increments of 3.2 between 3.2 and 56.8 mm.	
Linear limitation	Stepless limitation between 0 and 60 mm for the linear travel is possible by means of a clamp from the linear/rotary set ASK72.3.	

## Ordering

<b>Note</b>	Auxiliary switches <b>cannot be added in the field.</b>
Accessories, spare parts	Accessories to functionally extend the actuators are available, e.g., various linear/rotary sets; see data sheet <b>N4697</b> .

## Technical data

 AC 24 V supply (SELV/PELV)	Operating voltage / Frequency	AC 24 V ± 20 % / 50/60 Hz
	Power consumption GEB13..2: Push rod moves	4 VA / 3.5 W
	GEB16..2: Push rod moves Holding	6 VA / 5.5 W 1.5 W
 AC 230 V supply	Operating voltage / Frequency	AC 230 V ± 10 % / 50/60 Hz
	Power consumption GEB33..2:	3 VA / 3 W
Function data	Nominal linear force	400 N
	Maximum linear force	800 N
	Nominal linear travel	57 mm
	Maximum linear travel	60 mm
	Runtime for 57 mm linear travel	150 s (50 Hz) / 125 s (60 Hz)
Positioning signal Y for GEB16..2	Input voltage Y (wires 8-2)	DC 0...10 V / DC 2...10 V
	Max. permissible input voltage	DC 35 V
Characteristic functions for GEB161.2 for GEB163.2	Input voltage Y (wires 8-2)	DC 0...35 V
	Non-adjustable characteristic function	DC 0...10 V / DC 2...10 V
	Adjustable characteristic function Offset U <sub>o</sub>	DC 0...5 V
	Span ΔU	DC 2...30 V
Position indicator for GEB16...2	Output voltage U (cores 9-2)	DC 0...10 V
	Max. output current	DC ± 1 mA
 Auxiliary switches for GEB..6.2 / GEB164.2	Contact rating	6 A resistive, 2 A inductive
	Voltage (no mixed operation AC 24 V / AC 230 V)	AC 24...230 V
	Switching range for auxiliary switches	3.2...56.8 mm
	Setting increments	3.2 mm
Connection cables	Cross-section	0.75 mm <sup>2</sup>
	Standard length	0.9 m
Degree of protection of housing	Degree of protection as per EN 60 529 (note mounting instructions)	IP 40
Protection class	Insulation class	EN 60730
	AC 230 V, auxiliary switch	II
Environmental conditions	Operation / Transport	EN 60721-3-3 / EN 60721-3-2
	Temperature	-32...+55 °C / -32...+70 °C
	Humidity (non-condensing)	< 95% r.h. / < 95% r.h.
Norms and directives	Product safety: Automatic electrical controls for household and similar use	EN 60730-2-14 (Type 1)
	Electromagnetic compatibility (Application)	For residential, commercial and industrial environments
	EU Conformity (CE)	A5W00004376 <sup>1)</sup>
	RCM Conformity	A5W00004377 <sup>1)</sup>
	Product environmental declaration <sup>2)</sup>	CE1E4621en <sup>1)</sup>
	Dimensions	Actuator W x H x D (see "Dimensions")
Weight	Push rod (profile)	16 x 5 mm
	Without packaging: GEB1...2 GEB33..2	0.8 kg 0.9 kg

<sup>1)</sup> The documents can be downloaded from <http://siemens.com/bt/download>

<sup>2)</sup> The product environmental declaration contains data on environmentally compatible product design and assessments (RoHS compliance, materials composition, packaging, environmental benefit, disposal).

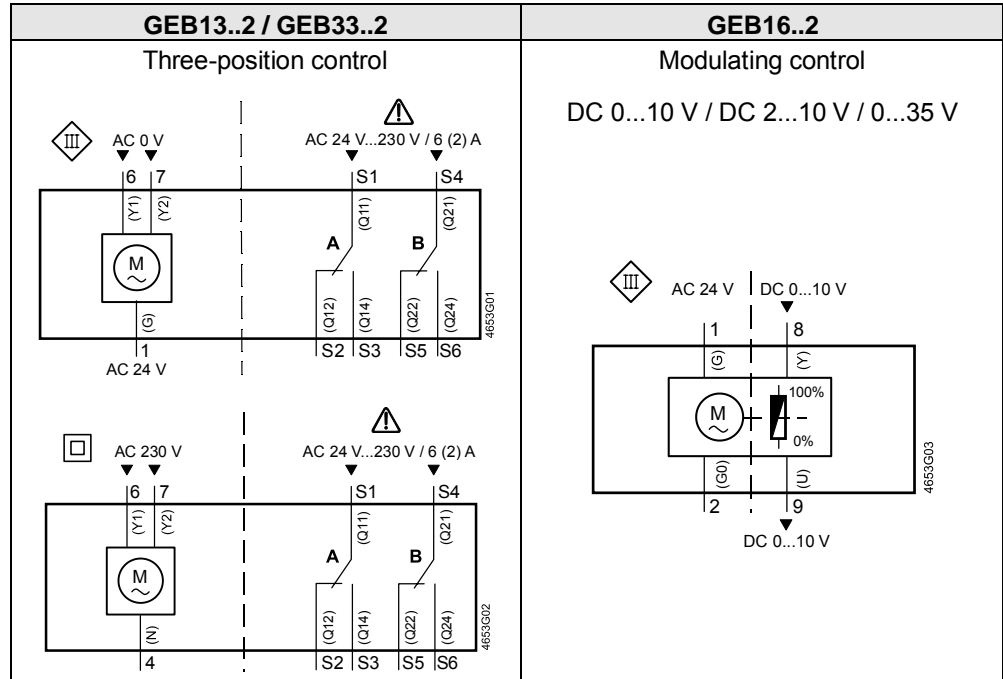
**Disposal**



The device is considered an electronics device for disposal in terms of European Directive 2012/19/EU and may not be disposed of as domestic garbage.

- Dispose of the device through channels provided for this purpose.
- Comply with all local and currently applicable laws and regulations.

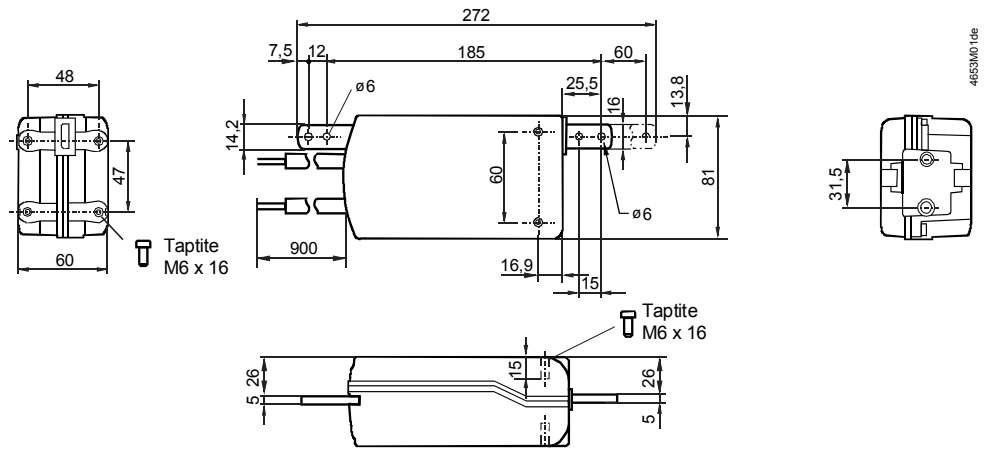
**Internal diagrams**



**Cable labeling**

Pin	Cable				Meaning
	Code	Number	Color	Abbreviation	
Actuators AC 24 V	G	1	red	RD	System potential AC 24 V
	G0	2	black	BK	System neutral
	Y1	6	purple	VT	Pos. signal AC 0 V, inward travel
	Y2	7	orange	OG	Pos. signal AC 0 V, outward travel
	Y	8	gray	GY	Pos. signal DC 0...10 V, 2...10 V, 0...35 V
Actuators AC 230 V	U	9	pink	PK	Position indication DC 0...10 V
	N	4	blue	BU	Neutral conductor
	Y1	6	black	BK	Pos. signal AC 230 V, inward travel
Auxiliary switch	Y2	7	white	WH	Pos. signal AC 230 V, outward travel
	Q11	S1	gray/red	GY RD	Switch A Input
	Q12	S2	gray/blue	GY BU	Switch A Normally closed contact
	Q14	S3	gray/pink	GY PK	Switch A Normally open contact
	Q21	S4	black/red	BK RD	Switch B Input
Positioner	Q22	S5	black/blue	BK BU	Switch B Normally closed contact
	Q24	S6	black/pink	BK PK	Switch B Normally open contact
Positioner	a	P1	white/red	WH RD	Potentiometer 0...100 % (P1-P2)
	b	P2	white/blue	WH BU	Potentiometer pick-off
	c	P3	white/pink	WH PK	Potentiometer 100...0 % (P3-P2)

# Dimensions



Dimensions in mm

4653M010e

Issued by  
Siemens Switzerland Ltd  
Building Technologies Division  
International Headquarters  
Gubelstrasse 22  
6301 Zug  
Switzerland  
Tel. +41 41-724 24 24  
[www.siemens.com/buildingtechnologies](http://www.siemens.com/buildingtechnologies)

© Siemens Switzerland Ltd, 2000  
Technical specifications and availability subject to change without notice.